

### 40ft Scissor Lift

#### PERFORMANCE\*

Platform Height (Indoor)	11.97 m
Platform Height (Outdoor)	11.97 m
Platform Capacity (Indoor)	350 kg
Platform Capacity (Outdoor)	130 kg
Capacity on Platform Extension	113 kg
Lift/Lower Time	73/48 Seconds
Maximum Drive Height (Outdoor)	Full Height
Maximum Drive Height (Indoor)	Full Height
Weight*	3,390 kg
Drive Speed–Elevated	0.8 km/h
Drive Speed–Lowered	3.2 km/h
Gradeability	25%
Turning Radius (Inside)	Zero
Turning Radius (Outside)	2.54 m

\* Certain options or country standards will increase weight.

#### STANDARD SPECIFICATIONS\*

##### Power Source

Batteries	4 x 12V, 185 amp-hr
Charger	27 amp High Frequency Charger
Drive	Hydraulic Front-wheel

##### Hydraulic Reservoir

- Capacity 30 L
- Pump Fixed Displacement Gear

##### Tires

- Tire Size/Type (Non-Marking) 406 x 127 mm

##### Brakes

- Multi-Disc Friction

#### STANDARD FEATURES\*

- Proportional Controls
- Battery Condition Indicator
- All Motion Alarm
- 27 amp Multi-Function Universal Charger
- Horn
- Hourmeter
- Tilt Alarm and Light
- Lanyard Attach Points
- Movable, Removable Platform Control
- Nickel Plated Pins
- Lubrication Free Scissor Arm Bushings
- Scissor Maintenance Prop
- Active Pothole Protection System
- Self-centering arm stack
- Lifting and Tie Down Points
- Fork Lift Pockets
- 86 cm Foot-Actuated Deck Extension
- Steel Swing-Out Doors
- Variable Tilt Window
- Manual Descent Cable
- Diamond Tread Steel Deck
- Greaseless Kingpin Joints
- Analyzer Port for Diagnostics
- Dynamic Braking
- Flashing Amber Beacon
- Self-Closing, Self-Latching Gate
- MDI (ground)



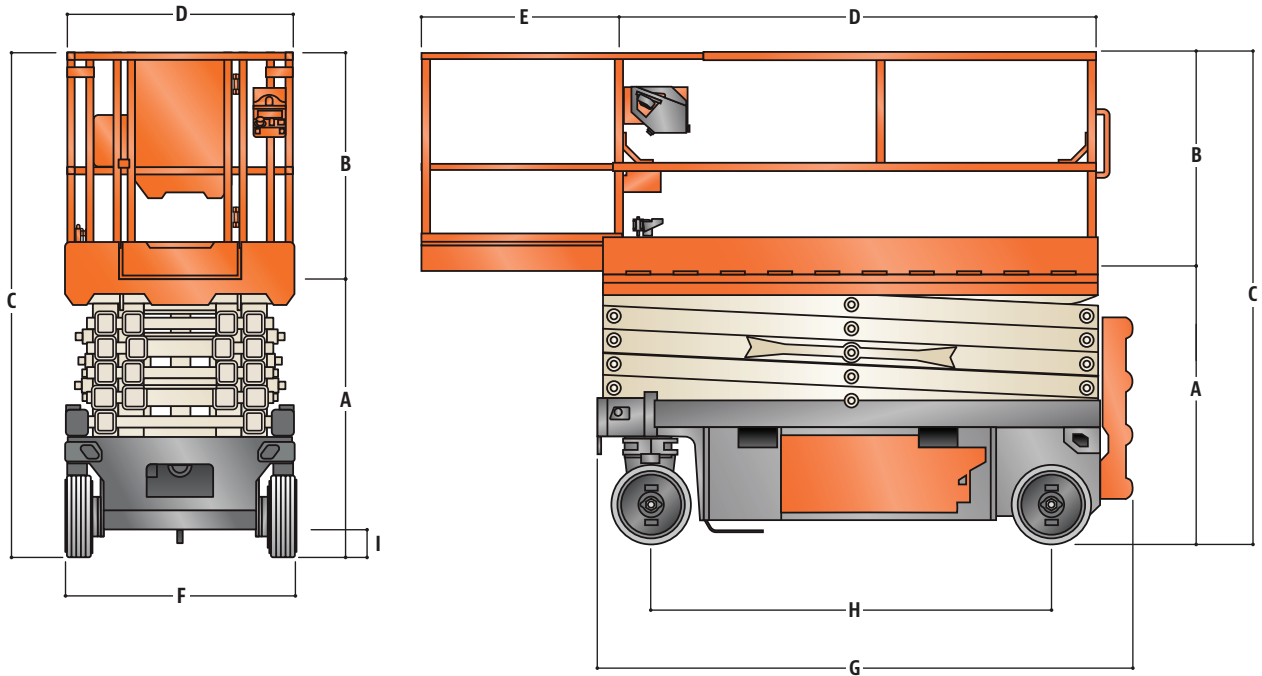
#### ACCESSORIES & OPTIONS

- 150 Amp-Hour AGM Batteries
- Anti-Vandalism Package for Ground
- Controls and Platform Controls
- Ambient Noise (Squaker) Alarm
- AC Outlet To Platform incl. ELCB
- Platform Padding
- Pipe Racks
- Panel Carrier
- JLG Workstation
- Platform Work Lights

### 40ft Scissor Lift

#### Dimensions

All dimensions are approximate.



A. Platform Height-Lowered	1.40 m
B. Platform Railing Height	1.14 m
C. Overall Height (Rails Up)	2.54 m
(Rails Down)	1.91 m
D. Platform Size	1.05 m x 2.43 m

E Platform Extension	0.91 m
F Overall Width	1.15 m
G. Overall Length	2.71 m
H. Wheelbase	2.03 m
I. Ground Clearance	0.13 m